



# Apollo 250 Home and Light Commercial Gym System

The Apollo Series since its debut in 1985, has led the industry in its innovative design features that sets the standard for many multi-station gym designs today. All TuffStuff products are designed and engineered in the Pomona facility, California.

## Light Commercial Warranty

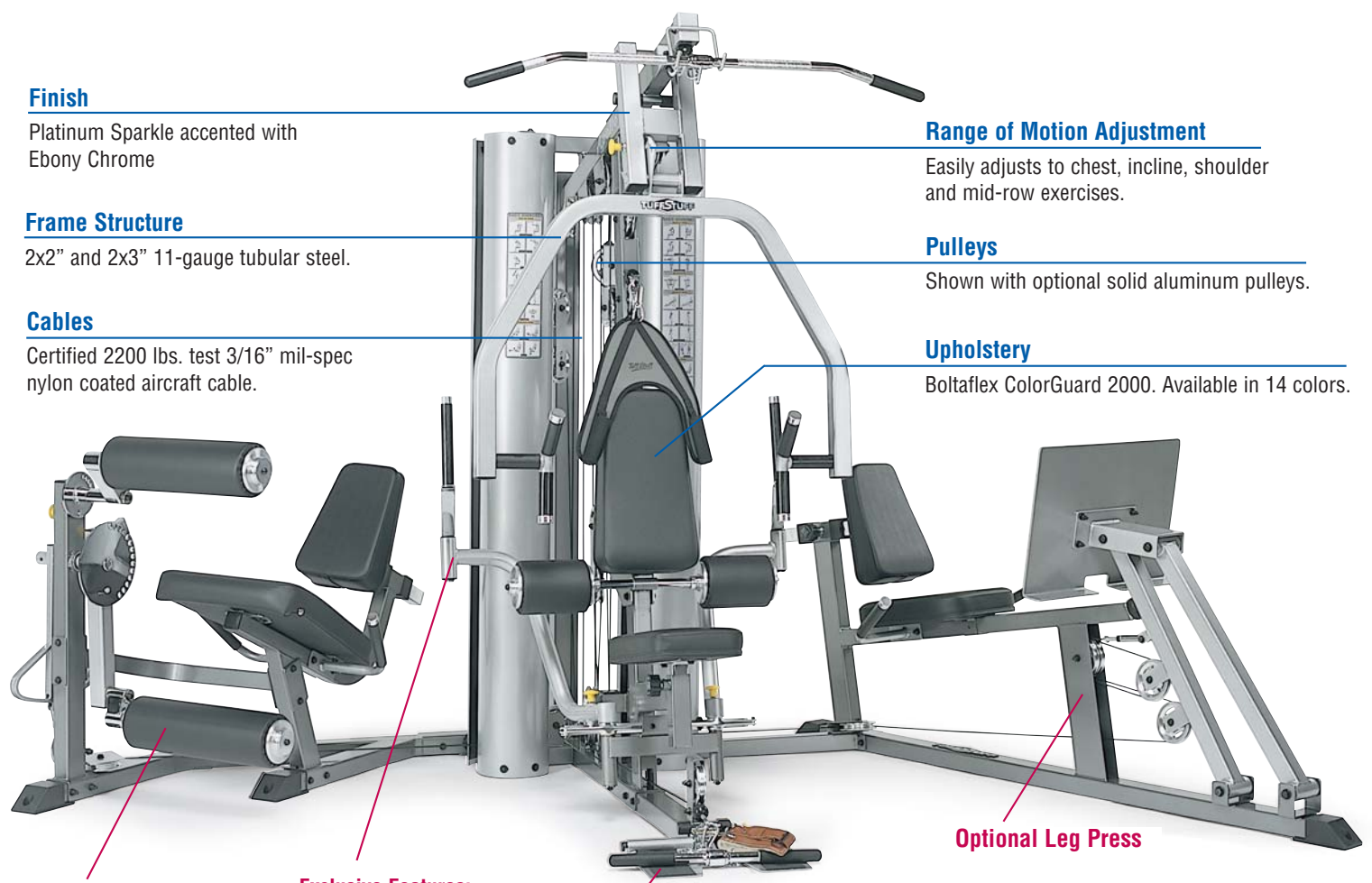
- Lifetime – frames and welds
- 5 Years – pulleys, bushings and moving parts
- 1 Year – cables, upholstery and any items not listed

## Home Lifetime Warranty

- LIFETIME on everything while owned by the original retail purchaser, and used only in a home environment.

See Assembly Manual for details.

TuffStuff Fitness Equipment, Inc.  
 1325 E. Franklin Avenue  
 Pomona, CA 91766  
 Ph: 909-629-1600 Fx: 909-629-4967  
 info@tuffstuff.net  
[www.tuffstuff.net](http://www.tuffstuff.net)



### Finish

Platinum Sparkle accented with Ebony Chrome

### Frame Structure

2x2" and 2x3" 11-gauge tubular steel.

### Cables

Certified 2200 lbs. test 3/16" mil-spec nylon coated aircraft cable.

### Range of Motion Adjustment

Easily adjusts to chest, incline, shoulder and mid-row exercises.

### Pulleys

Shown with optional solid aluminum pulleys.

### Upholstery

Boltaflex ColorGuard 2000. Available in 14 colors.

### Optional Leg Press

### Exclusive Features:

- Self-adjusting footroll to accommodate individual leg lengths.

### Exclusive Features:

- Adjustable pectoral fly arms
- Dual pivot points for smooth and controlled arm movement

### Exclusive Features:

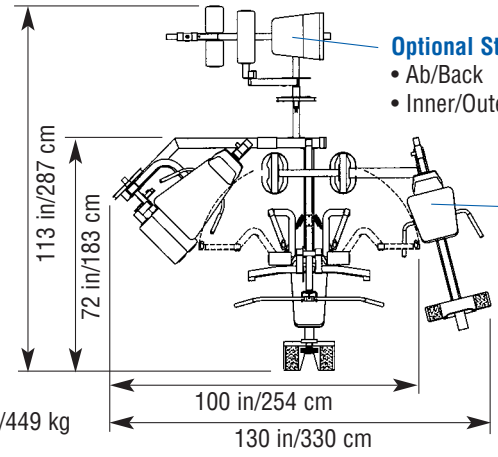
- Adjustable footplate to accommodate different leg lengths.
- Flips up or down for various low pulley exercises.

### Optional Stations:

- Ab/Back
- Inner/Outer Thigh

### Optional Stations:

- Ab/Back
- Leg Press



**NOTICE:** TuffStuff continually engages in research related to product improvement. As a result, the product received by the customer may differ slightly from its published description. Improvements in materials, production techniques and design refinements may at any time be introduced into our products. TuffStuff reserves the right to make changes in its product without notice.

Height: 83 in/211 cm Weight Stack: 200 lbs. cast iron Shipping Wt: Base Unit: 990 lb/449 kg

# America's Premier Exercise Equipment