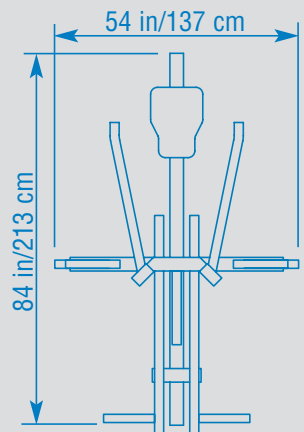


PL-435 Lat Pulldown



- Dual axis arm movement allows unilateral exercise
- 360° articulating handgrips provide free floating downward pulling motion
- Adjustable thigh hold-down pads
- Gas assist seat height adjustment
- Built-in Olympic weight storage



Ht: 81 in/206 cm
Wt: 263 lb/119 kg