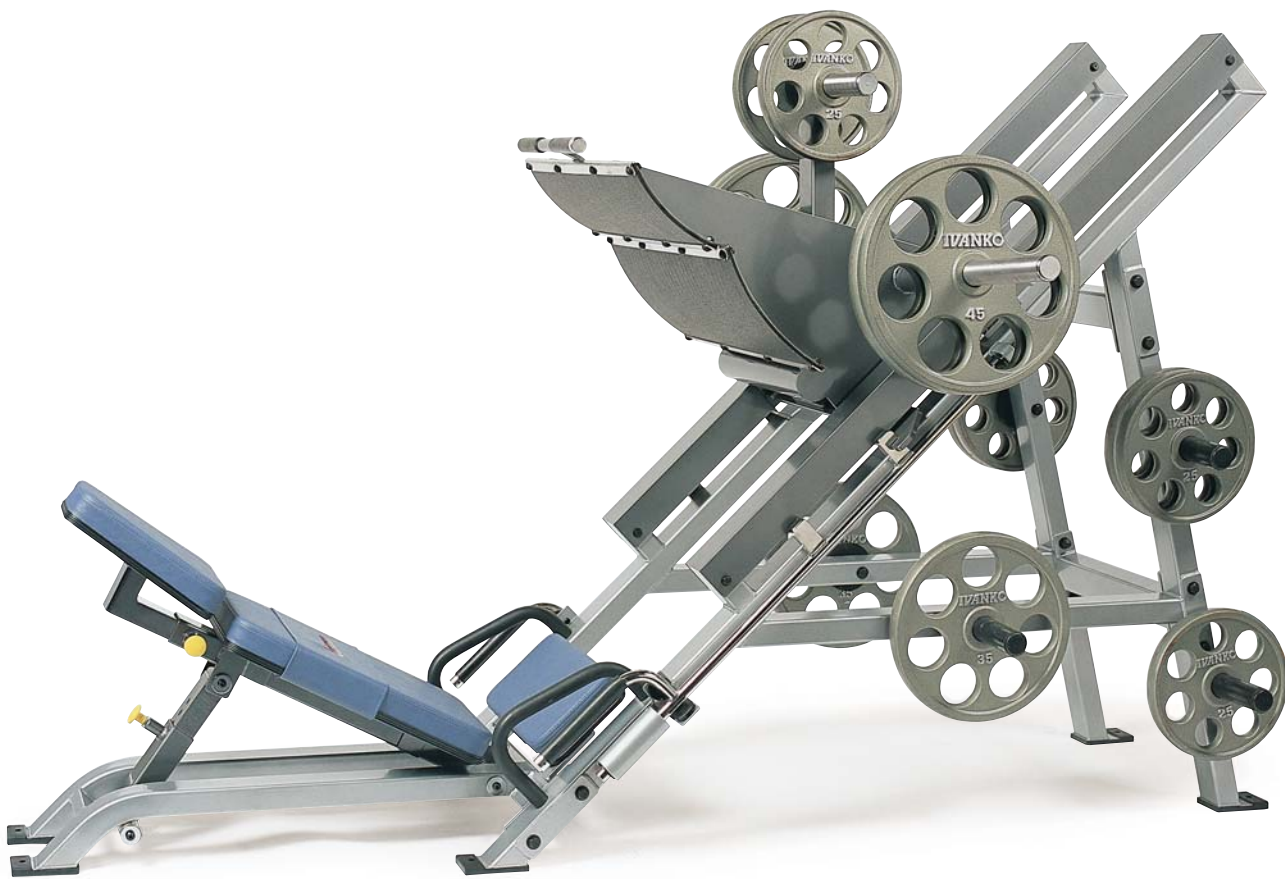
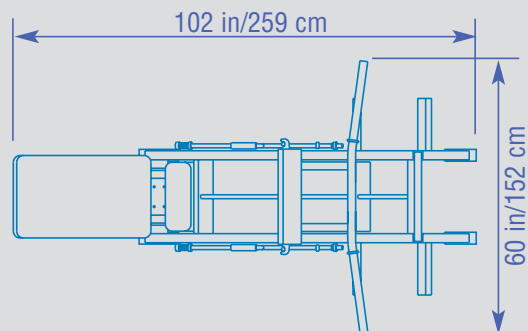


# PL-460 45-Degree Leg Press



- Dual self-aligning 1-1/2" linear bearing system
- 1-1/2" precision ground tempered steel shaft
- Concave footplate design assures correct leg positioning throughout the range of motion and reduces ankle stress
- Heavy duty back support construction with multiple angle adjustments and adjustable head rest attachment
- Dual safety catch and release handles for safe start and end position
- Built-in Olympic plate holders



Ht: 61 in/155 cm  
Wt: 650 lb/266 kg