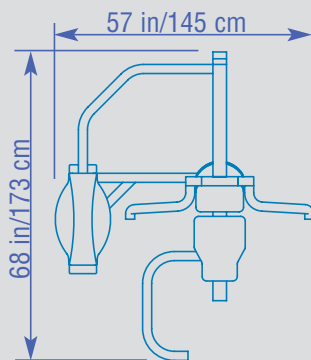


PS-200 Chest Press



- Unique pivoting bench seat design with multiple forward positions to accommodate most arm lengths
- Converging press arm movement
- Dual-linkage gas assist seat adjustment
- Pre-stretch foot lever for start and end position
- 200 lbs. steel weight stack



Ht: 77 in/196 cm
Wt: 600 lb/272 kg