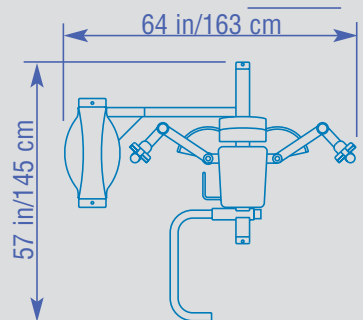


PS-202 Butterfly Contractor



- Unique dual pivot points on the pectoral fly arms allow user to maintain perfect form throughout the range of motion
- Gas assist seat height adjustment
- Pre-stretch foot lever for start and end position
- 200 lbs. steel weight stack



Ht: 55 in/140 cm
Wt: 590 lb/266 kg