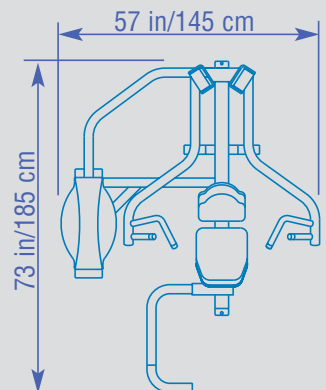


PS-205 Shoulder Press



- Unique handle design permits grip changes to isolate the deltoid muscles
- Converging press arm movement
- Dual-linkage gas assist seat adjustment
- Pre-stretch foot lever for start and end position
- 200 lbs. steel weight stack



Ht: 55 in/140 cm
Wt: 590 lb/266 kg