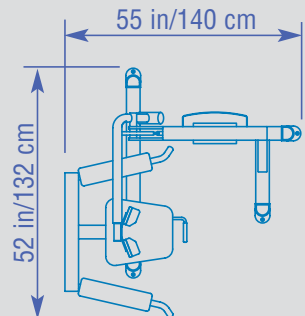


PS-216 4-Way Neck Machine



- 360° 4-way rotating seat design (patent pending) offers quick and easy positioning for various neck exercises
- Adjustable press arm for proper start position
- Rotating head pads to maintain proper alignment throughout the range of motion
- 150 lbs. steel weight stack



Ht: 65 in/165 cm
Wt: 400 lb/181 kg