

Proformance Plus | Bench Press PPL-105

Tuff-Specs:

- Main frame structures are constructed of 2"x3" 11-gauge tubular steel with a combination of 2"x2" square tubular steel and 2" diameter round tubing for aesthetic appearance.
- Independent converging press arm technology provides a natural range of motion from start to finish.
- Direct-link independent arm mechanism enhances smooth operation allows a controlled converging heavy weight lifting movement.
- Molded PU foam glued to 1" industrial plywood backing covered with double-stitched premium upholstery.
- Four angle adjustments on the seat bench with integrated safe Quick-change lever design.
- Weight capacity: 800 lbs.

Frame colors as shown with two-tone finish, Wrinkle Black (main frame) with accent Charcoal Texture as standard on all machines. Main frame can be substituted with seven primary colors shown below. Customization is available, please inquire with your sales representative.



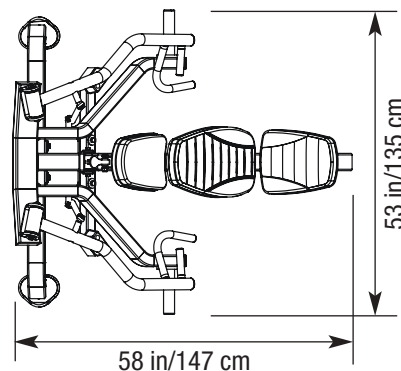
(1) Charcoal Texture (2) Platinum Sparkle (3) Red Baron II
 (4) Sky White (5) Twilight Blue (6) Matte Black (7) Wrinkle Black

UPHOLSTERY: Premium Bolta Sport vinyl upholstery with PreFixx, formulated to resist bacteria, stains, mildew, oil and is UV stabilized pigments. Meets most flammability test requirements. As shown are standard colors.

UPH-300 Cranberry	UPH-301 Tan Crocus	UPH-302 Azure	UPH-303 Navy
UPH-304 Wheat	UPH-305 Suede	UPH-306 Charcoal	UPH-307 Black
UPH-308 Royal	UPH-309 Grotto	UPH-310 Hunter	UPH-311 American Beauty
UPH-312 Burgundy	UPH-313 Dove	UPH-314 Canyon Carbon	UPH-315 Deep Violet

COMMERCIAL WARRANTY*

- 10 YEARS:** Structural main frames, welds and cams.
5 YEARS: Pivot bearings, pulleys, bushings, guide rods and gas shocks.
1 YEAR: Belts, linear bearings, and pull-pin components.
6 MONTHS: Upholstery, finish, cables and rubber grips.
ALL OTHER PARTS not mentioned, one year from the date of purchase to the original purchaser.



Ht: 55 in/140 cm

NOTE: Dimensions are rounded to the nearest inch and centimeter