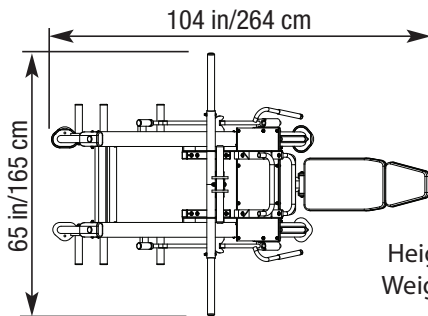




www.tuffstufffitness.com

# Proformance Plus

## PPL-960 LEG PRESS



Height: 58 in/147 cm  
Weight: 555 lb/252 kg

- 2" x 4" 11-gauge welded oval tubular steel main frame offers contemporary styling and structural stability.
- 1-1/2" precision ground tempered solid steel shafts and case hardened for durability.
- Dual self-aligning 1-1/2" fully enclosed linear bearing system.
- Oversized convex footplate design assures correct ankle and knee positioning throughout full range of motion.
- Custom convex press plate design with calf block and bi-level weight holders of 1000 lbs. load capacity (starting weight 95 lbs.).
- High density commercial EMR urethane foam padding bonded to 1" thick premium plywood backing support with grade 8 zinc plated locking hardware and polished aluminum end caps.
- Dual safety catches and release handles are easily accessible and provide multiple starting positions.
- Eight-step electrostatically applied powder coat finish baked at 400°F carefully monitored to ensure complete curing.
- Heavy duty back support with multiple angle adjustments.
- Includes rubber stabilizer feet designed for floor anchoring.
- Built-in Olympic weight storage.
- Shipped assembled for easier installation and set up.
- **Engineered and manufactured in USA.**
- Custom two tone finish offers choice of six primary colors combined with Charcoal Texture accents.  
(1) Matte Black (2) Platinum Sparkle (3) Sky White  
(4) Twilight Blue (5) Charcoal Texture (6) Wrinkle Black  
Custom colors available – inquire with your sales representative.



- Premium BoltaSport vinyl with PreFixx protective finish and UV lightfastness, mildew resistant, anti-microbial, oil and sulfide stain resistant. Meets or exceeds most flammability test requirements. All upholsteries are double-stitched with "hidden" borders.

### STANDARD COLORS:

UPH-300 Cranberry	UPH-301 Tan Crocus	UPH-302 Azure	UPH-303 Navy
UPH-304 Wheat	UPH-305 Suede	UPH-306 Charcoal	UPH-307 Black
UPH-308 Royal	UPH-309 Grotto	UPH-310 Hunter	UPH-311 American Beauty
UPH-312 Burgundy	UPH-313 Dove	UPH-314 Canyon Carbon	UPH-315 Deep Violet

**IMPORTANT NOTE:** Color samples as shown are close representation of the actual vinyl colors, and must not be used for an exact match of the color. Always request for the actual vinyl samples from your dealer or TuffStuff Sales Representatives.

## COMMERCIAL WARRANTY

- 10 YEARS:** Frames, welds, cams and weight plates.
- 5 YEARS:** Pivot bearings, pulleys, bushings, gas shocks and guide rods.
- 1 YEAR:** Belts, linear bearings and pull-pin components.
- 6 MONTHS:** Upholstery, cables, finish, and rubber grips.

**ALL OTHER PARTS** not mentioned, one year from the date of delivery to the original purchaser.