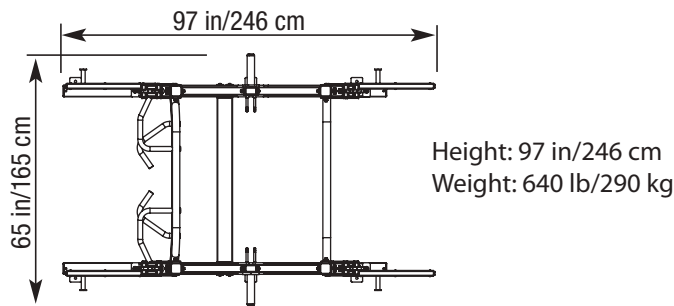


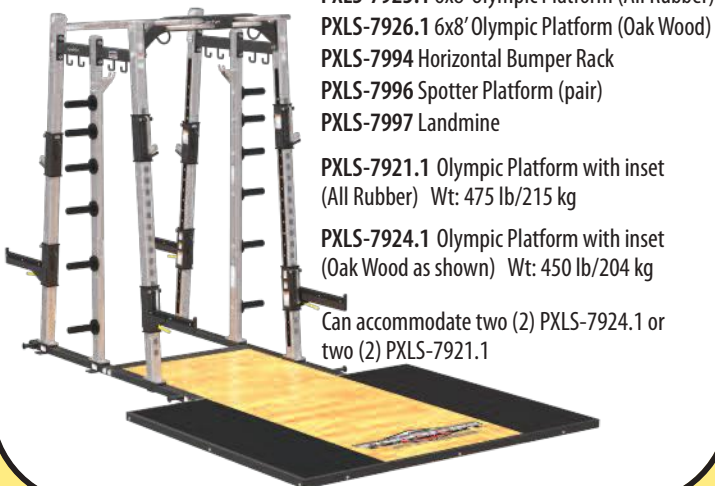


www.tuffstufffitness.com

PXLS-7920 DUAL RACK



ACCESSORIES & PLATFORMS



- PXLS-7923.1 6x8' Olympic Platform (All Rubber)
- PXLS-7926.1 6x8' Olympic Platform (Oak Wood)
- PXLS-7994 Horizontal Bumper Rack
- PXLS-7996 Spotter Platform (pair)
- PXLS-7997 Landmine

PXLS-7921.1 Olympic Platform with inset (All Rubber) Wt: 475 lb/215 kg

PXLS-7924.1 Olympic Platform with inset (Oak Wood as shown) Wt: 450 lb/204 kg

Can accommodate two (2) PXLS-7924.1 or two (2) PXLS-7921.1

- Combination of two Half Racks allows multiple exercise participation for up to two users simultaneously.
- 3"x 3" 7-gauge and 2"x3" 11-gauge tubular steel construction.
- Swing Lock catches and quick change Lever Lock Safety Spotter (rated to 900 lbs. weight capacity) adjust in 3" increments.
- Integrated J-hook design (U.S. Patent) featuring quick change 1" solid steel Swing Lock bar catches.
- Durable-welded knurled zinc plated multi-grip pull-up station for wide, narrow, reverse and neutral grip upper body exercises.
- Combination 2-inch round top cross brace and knurled zinc plated pull-up station.
- Proprietary 8-step electrostatically applied powder coat finish, oven baked to insure durability.
- Deep penetrating electrically welded high strength frames.
- 3/8" and 1/2" grade 5 & 8 frame bolts used for optimum strength and durability.
- Heavy duty weight horns provide ample room to store weight plates of all sizes.
- Storage hooks, suspension loops and power band pegs offered as standard features.
- Two built-in Olympic bar storage keeps bars within easy reach.
- Multiple-layer design, 2" thick platform and inset available with 3/4" solid oak hardwood center or all rubber. Available for all models.
- All frames designed to anchor to floor. Refer to your Owner's Manual for anchoring requirements.
- Custom two tone finish offers choice of seven primary colors: (1) Charcoal Texture (2) Platinum Sparkle (3) Red Baron II (4) Sky White (5) Twilight Blue (6) Matte Black (7) Wrinkle Black
Custom colors available – inquire with your sales representative.



- Engineered and manufactured in USA.

COMMERCIAL WARRANTY

- 10 YEARS:** Structural frame (coating excluded) and welds.
- 1 YEAR:** Pull-pin components and platform/inset (surface finish excluded).
All other parts not mentioned, one (1) year from the date of purchase to the original purchaser.
- 90 DAYS:** Platform surface finish, custom platform logo and rubber mat. Finish applies only to defects from manufacturer only.
See Owner's Manual for details.

Pro-XL
SPORTS PERFORMANCE RACK SYSTEMS